


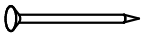
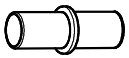
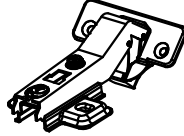
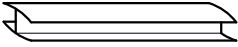
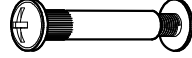
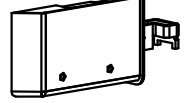
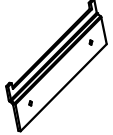
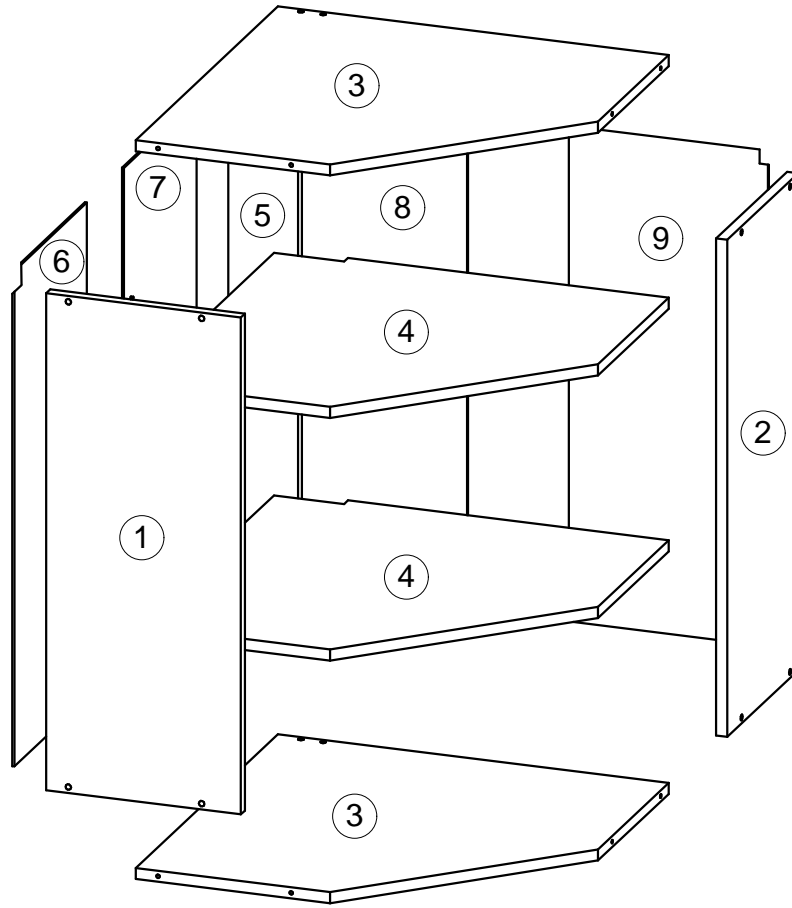
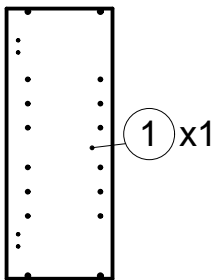
 Ø6,3x50 mm A1 x 12	 Ø12 mm A2 x 12	 4 mm A3 x 1	 Ø4x30 mm D1 x 6	 Ø1,6x25 mm F x 38
 Ø5x16 mm L x 10	 M x 2	 682 mm O x 2	 Ø8x30 mm T x 2	 U1 x 3
 U2 x 3				

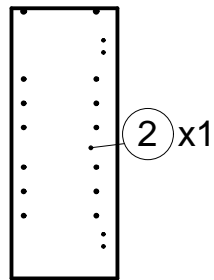


Box

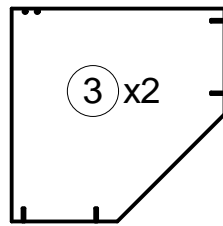
715x280x16 mm



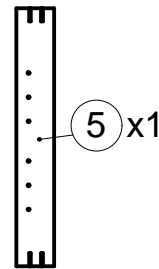
715x280x16 mm



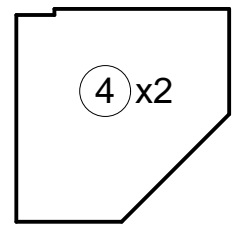
563x563x16 mm



100x683x16 mm

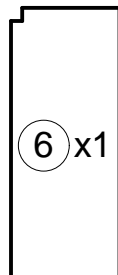


563x563x16 mm

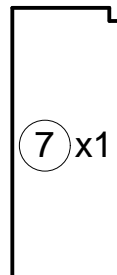


Fittings & Tools

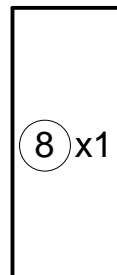
713x288x3 mm



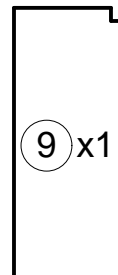
713x288x3 mm



713x288x3 mm



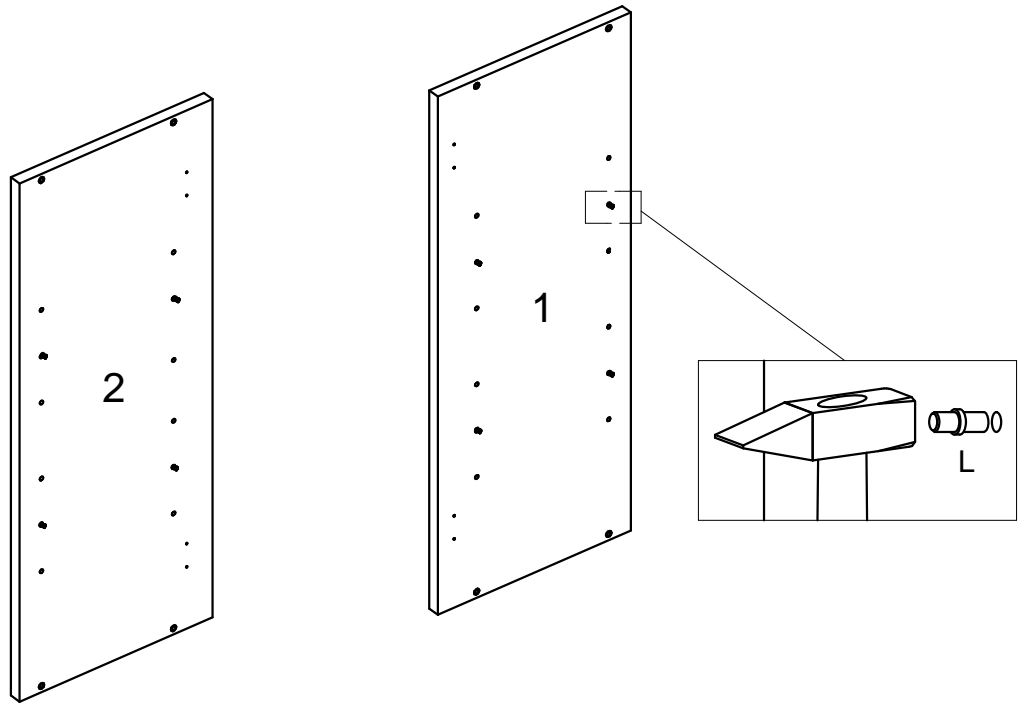
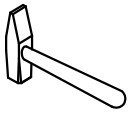
713x288x3 mm



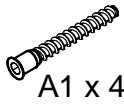
1



L x 8



2



A1 x 4



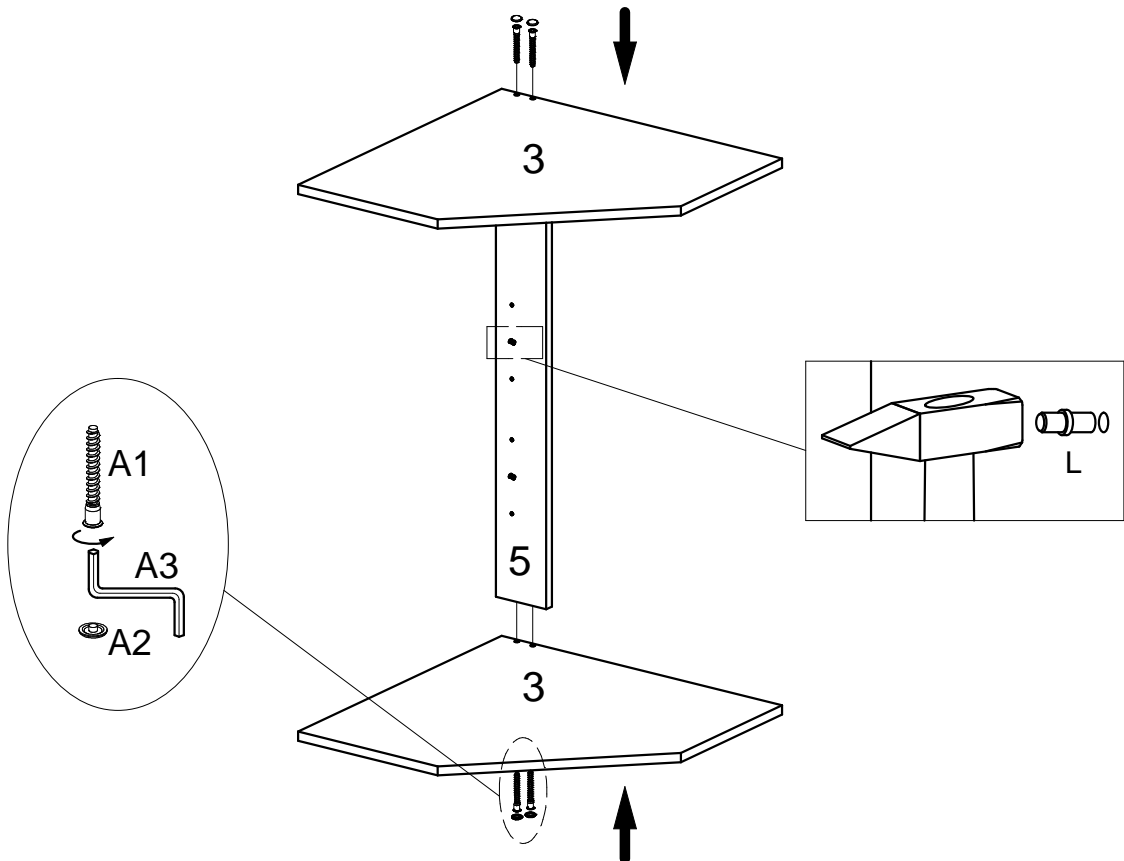
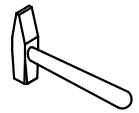
A2 x 4



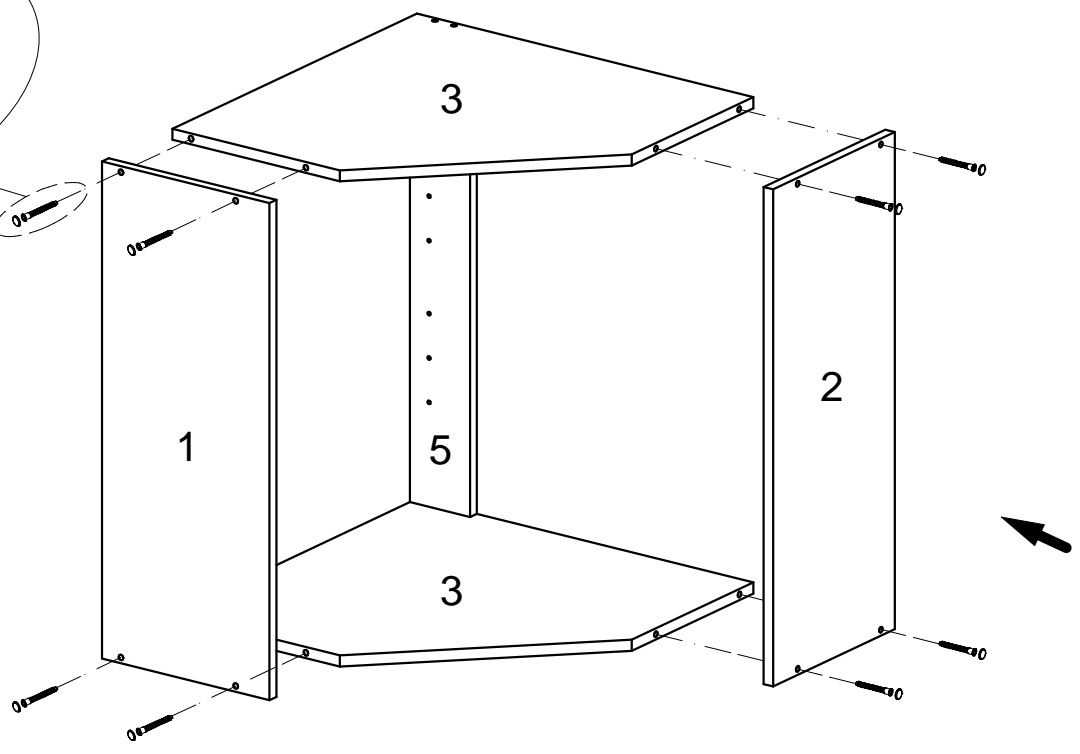
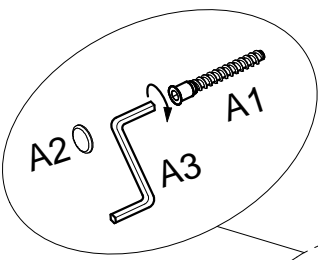
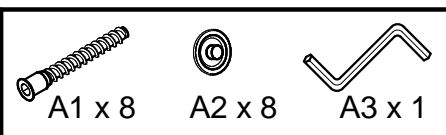
A3 x 1



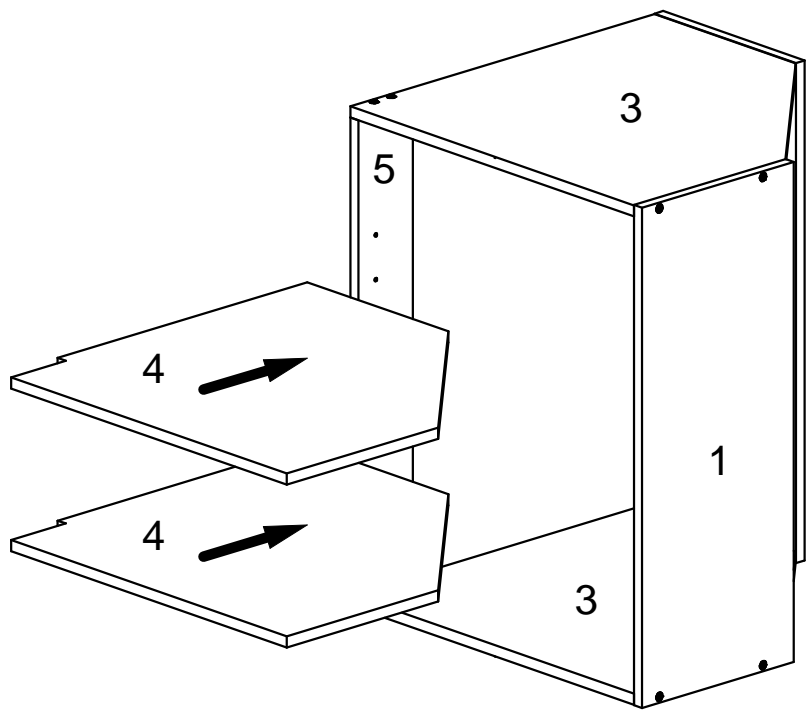
L x 2



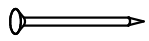
3



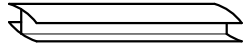
4



5

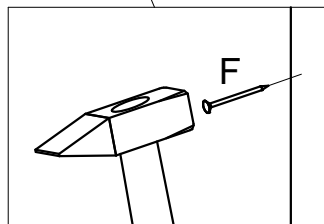
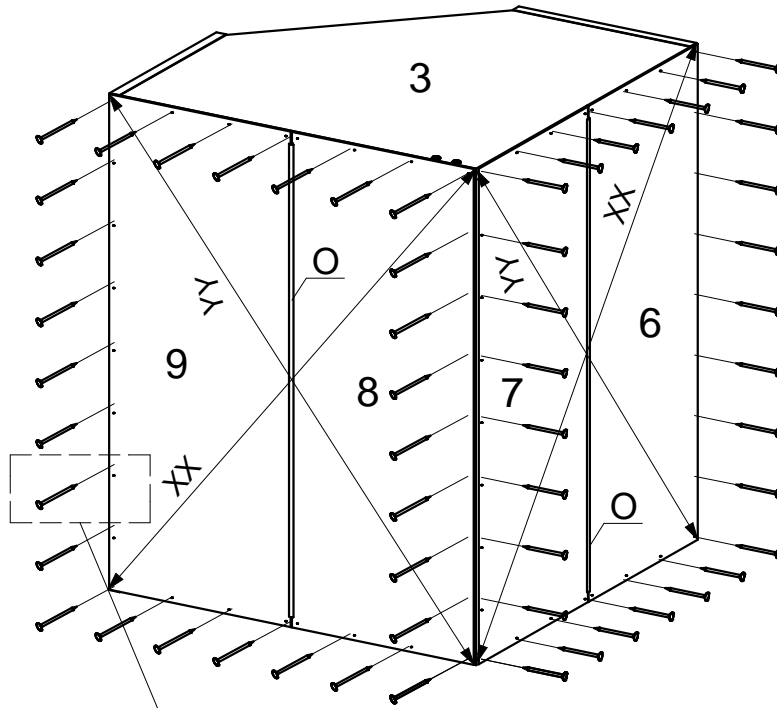


F x 38



O x 2

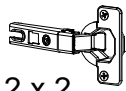
⚠ $XX=YY\equiv 90^\circ$



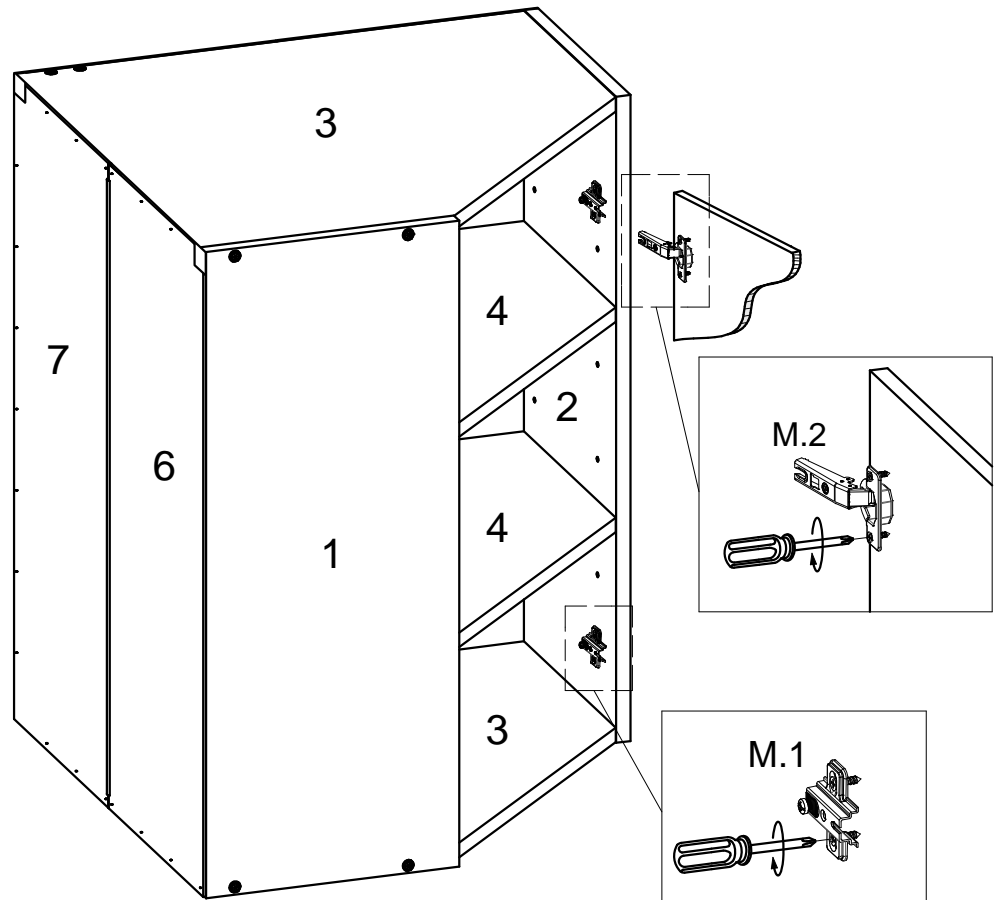
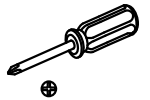
6



M.1 x 2

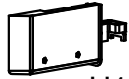


M.2 x 2

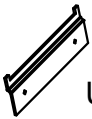
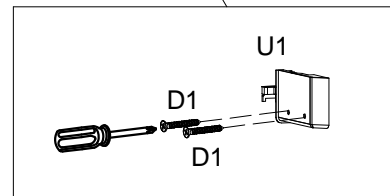
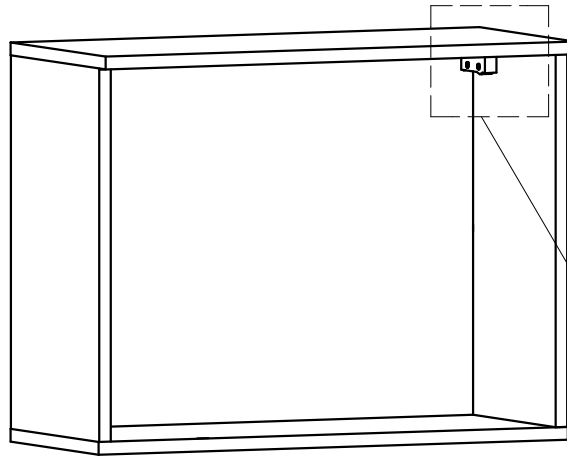
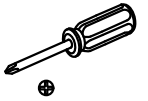




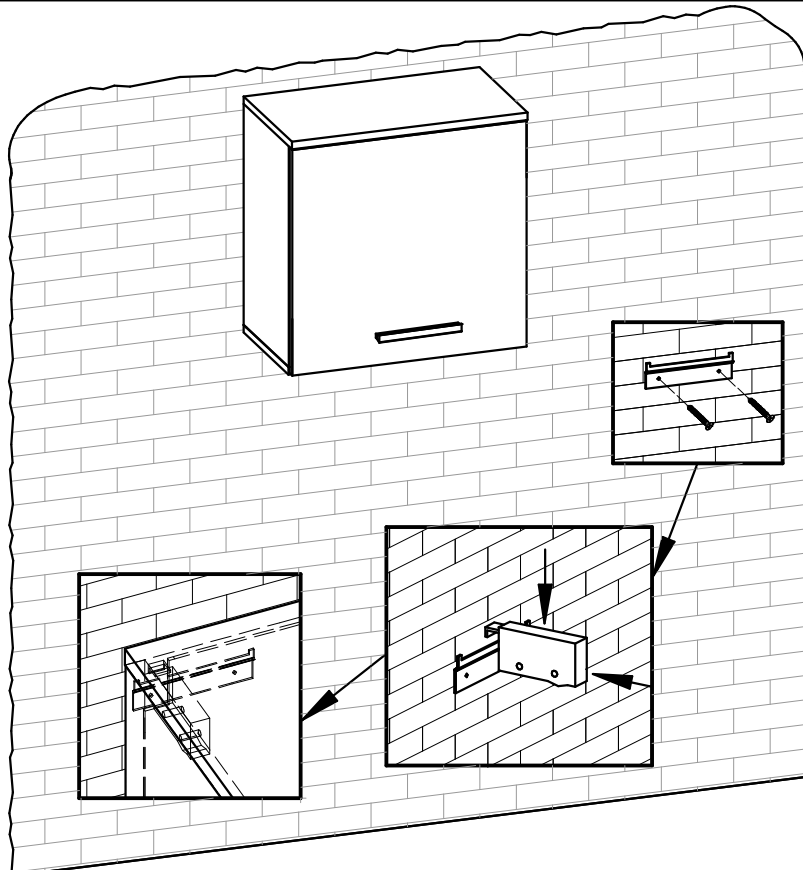
D1 x 6



U1 x 3

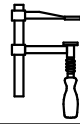


U3 x 3

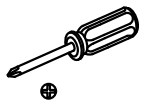
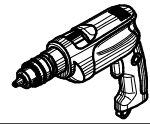




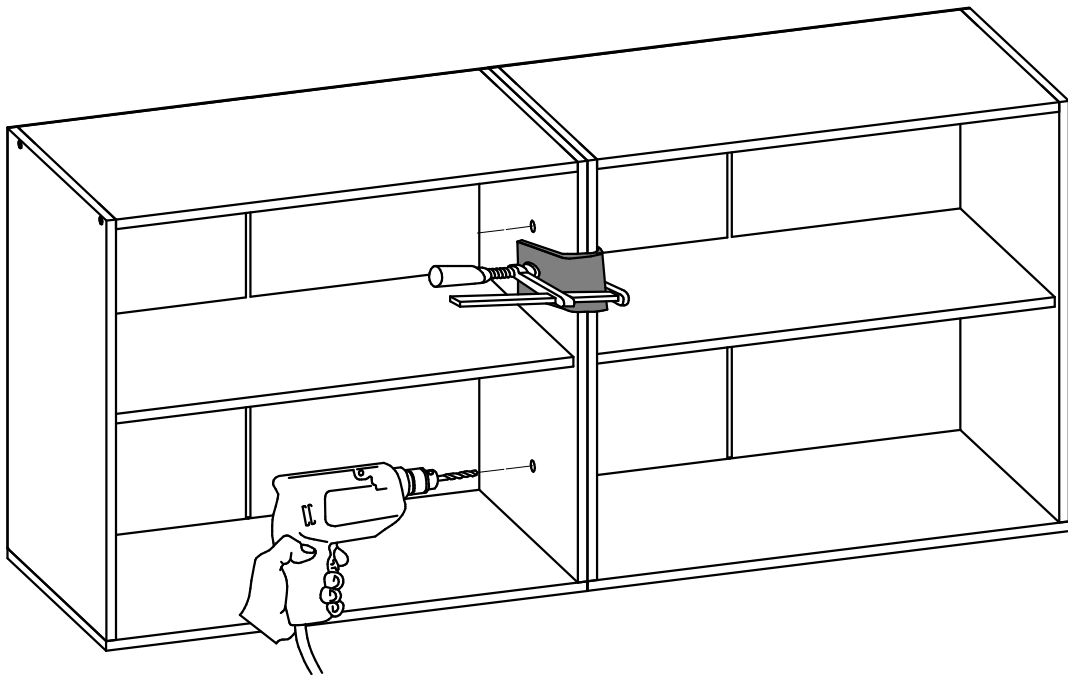
T x 2



Ø8



1



2

